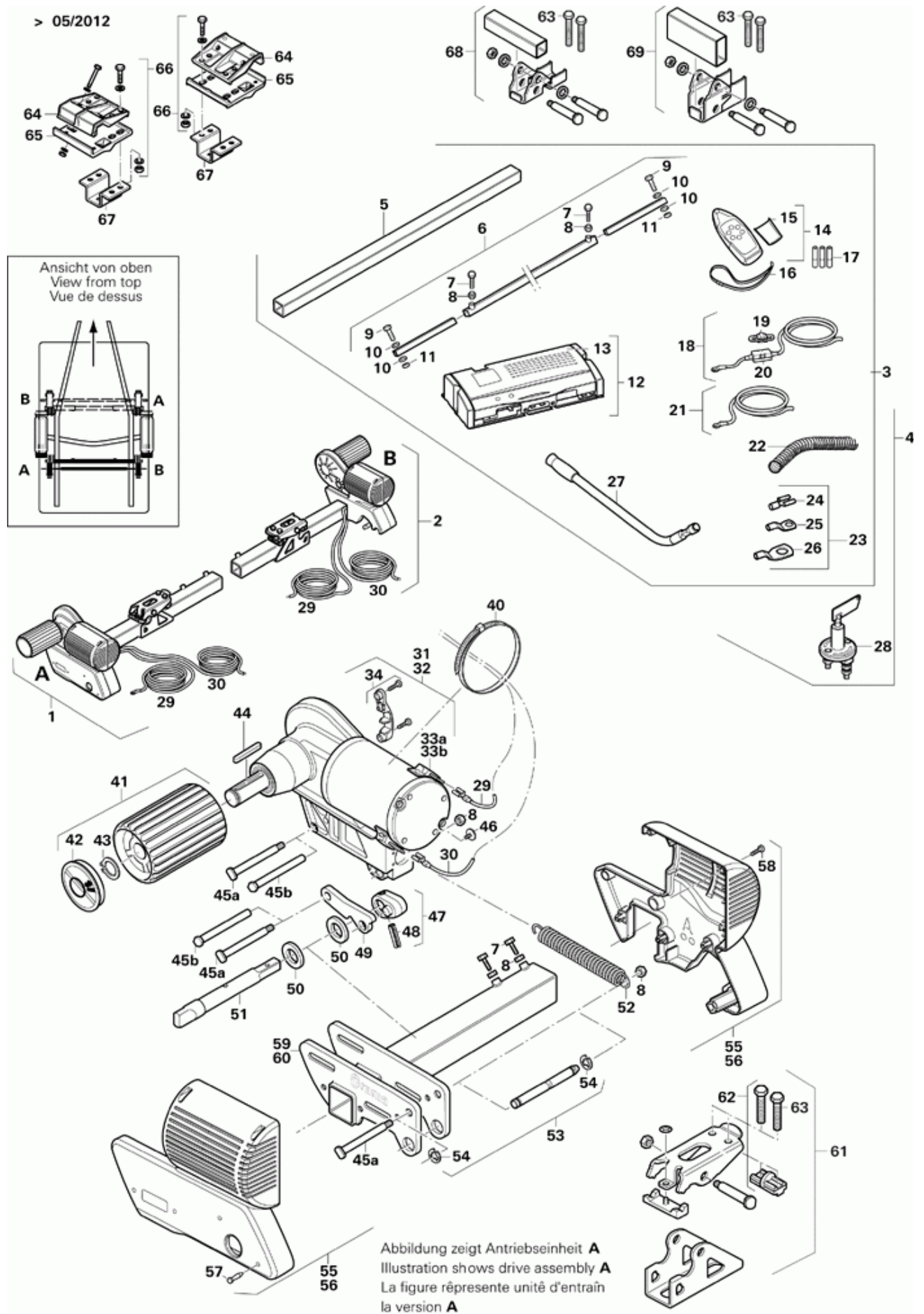


Truma/MANOEUVRING .../Spare parts .../Mover® SR - from 09/2011



| Part- |
|-------|
|-------|

| Pos. | No. | Description | Information |
|------|-------------|-------------------------------|--|
| 01 | 60030-88700 | Drive assembly "A" SR | |
| 02 | 60030-88800 | Drive assembly "B" SR | |
| 03 | 60030-88900 | Ancillary pack SR | pos. 05 - 27 |
| 04 | 60030-89000 | Ancillary pack SR, UK | (only for UK) pos. 05 - 28 |
| 05 | 60030-12000 | Connection pipe 145 cm | |
| 06 | 60030-87200 | Cross actuation complete | |
| 07 | 10010-35000 | Screw M 8 x 30 | |
| 08 | 60010-52300 | Nut M 8 | |
| 09 | 10010-32300 | Screw M 6 x 30 | |
| 10 | 10020-10400 | Washer 6.4 | |
| 11 | 10020-42900 | Nut M 6 selflocking | |
| 12 | 60030-89600 | Exchange Control unit SR | when returning the defective control unit to the factory |
| 12 | 60030-89500 | Control unit SR | |
| 13 | 60030-37000 | Housing cover | |
| 14 | 60030-31800 | Remote hand set Mover® | without batteries |
| 15 | 60030-34900 | Battery cover dark grey | |
| 16 | 60030-36300 | Carrying strap | |
| 17 | 40040-19500 | Battery micro 1.5 V | 3off necessary |
| 18 | 60030-74900 | Battery connector cable red | 16 mm ² , 1,5 m, c/w fuse |
| 19 | 60030-84800 | Fuse 150 A | |
| 20 | 60030-84700 | Fuse holder | without fuse |
| 21 | 60030-75000 | Battery connector cable black | 16 mm ² , 1,5 m |
| 22 | 60010-54500 | Cable protection, 2 m | |
| 23 | 60030-30700 | Accessory kit cable connector | |
| 24 | 60010-05100 | Flat connector 9,5 mm | |
| 25 | 60030-77000 | Eye let connector 6-16 | |
| 26 | 60030-77100 | Eye let connector 8-16 | |
| | 60030- | | |

| | | | |
|-----|-------------|------------------------------|---|
| 27 | 04600 | Lever | |
| 28 | 60010-05000 | Battery cut-off switch | |
| 29 | 60010-02800 | Motor loom cable black 6 m | 6 mm ² |
| 30 | 60010-02900 | Motor loom cable red 6 m | 6 mm ² |
| 31 | 60030-39400 | Exchange gearbox unit "A" SR | c/w motor, exchange price, when returning the defective gearbox unit to the factory |
| 31 | 60030-82600 | Gearbox unit "A" | c/w motor |
| 32 | 60030-39500 | Exchange gearbox unit "B" SR | c/w motor, exchange price, when returning the defective gearbox unit to the factory |
| 32 | 60030-82700 | Gearbox unit "B" | c/w motor |
| 33a | 60030-30400 | Brushes kit (2off) | |
| 33b | 60010-11700 | Motor brushes (2off) | |
| 34 | 60030-89100 | Cable clip | c/w 2 screws |
| 40 | 60010-05600 | Cable binder 468 x 7,6 mm | |
| 41 | 60030-34100 | Roller complete | c/w cover and safety ring |
| 42 | 60030-34700 | Printed cover | |
| 43 | 60030-85600 | Safety ring | |
| 44 | 60030-12900 | Feather key | |
| 45a | 60030-89300 | Guide screw 76 mm | c/w pos. 8 |
| 45b | 00000-00001 | not available | Bolt, 67 mm, spare pos. 45a |
| 46 | 00000-00001 | not available | Pan-head screw |
| 47 | 60030-31000 | Toggle crank short | c/w split sleeve |
| 48 | 10020-42800 | Clamping sleeve | |
| 49 | 60030-13600 | Toggle crank long | |
| 50 | 60030-13800 | Spacer washer | |
| 51 | 60030-54200 | Toggle crank | |
| 52 | 60030-13000 | Spring | |
| 53 | 00000-00001 | not available | Spring bolt, spare pos. 45a |
| 54 | 00000-00001 | not available | lock washer 8 |
| 55 | 60030-89400 | Cover set A | |
| | 60030- | | |

| | | | |
|----|-------------|--------------------------|------------------------------|
| 56 | 89700 | Cover set B | |
| 57 | 60030-86900 | Pins | 8off (for one side) |
| 58 | 10010-41400 | PT-screw STS 40 x 12-T21 | |
| 59 | 60030-83000 | Lateral pipe "A" SR | c/w Pos. 7 and 8 |
| 60 | 60030-83100 | Lateral pipe "B" SR | c/w Pos. 7 and 8 |
| 61 | 60030-98100 | Fixing compl. | from 05/2012, for one side |
| 62 | 60030-99300 | Bow strap, compl. | from 05/2012, for one side |
| 63 | 60030-91500 | Screw | from 05/2012, coated |
| 64 | 60010-61700 | Fastening bracket | until 05/2012 |
| 65 | 60010-61600 | Fastening bracket | until 05/2012 |
| 66 | 60030-35300 | Screws kit | until 05/2012, for one side |
| 67 | 60010-60100 | U-bracket | until 05/2012 |
| 68 | 60030-95000 | Spacer set 30 mm | from 05/2012, for both sides |
| 69 | 60030-95100 | Spacer set 60 mm | from 05/2012, for both sides |